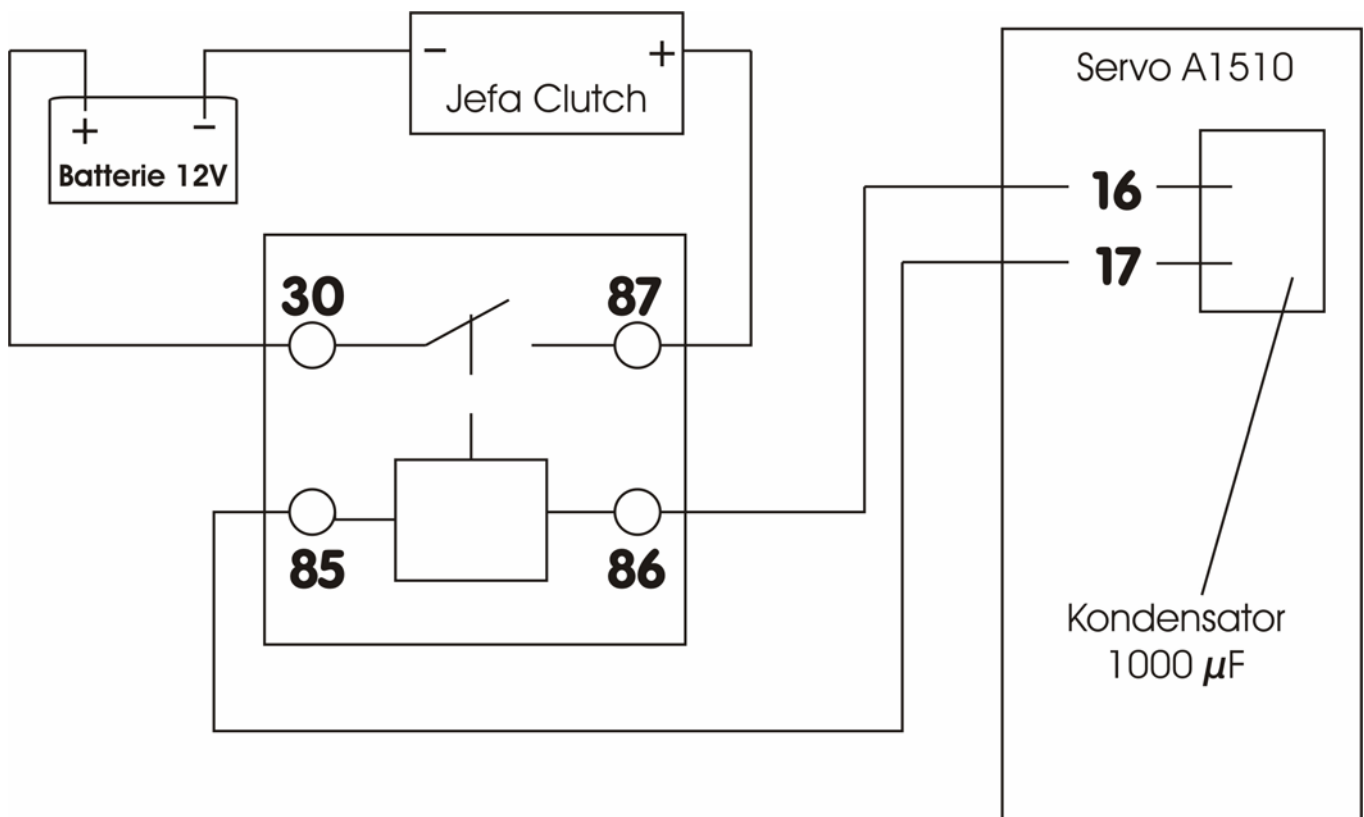


Special installation instructions for Silva (Comnav) A-1510 Autopilots

The Silva A-1510 autopilot can be used in combination with the Jefa Direct Drive type 1, the Jefa linear drive type LD100 and 150 Nm transmission and sprocket drives. There is an issue on the clutch control: The Silva pilot doesn't give a constant current of 12 volts to the clutch but a pulsing 12 Volt current which is not acceptable for the drive unit. On top of that the voltage slowly drops down to 6 Volts.

The solution is to use a simple car contactor (relais) between the clutch ports and the clutch of the drive unit.



The condensator will take away the fluctuations.

Jefa Steering ApS
Agenavej 43
2670 Greve
Denmark
Tel: +45 46 155210
Fax: +45 43 695211



www.jefa.com

24.08.2007