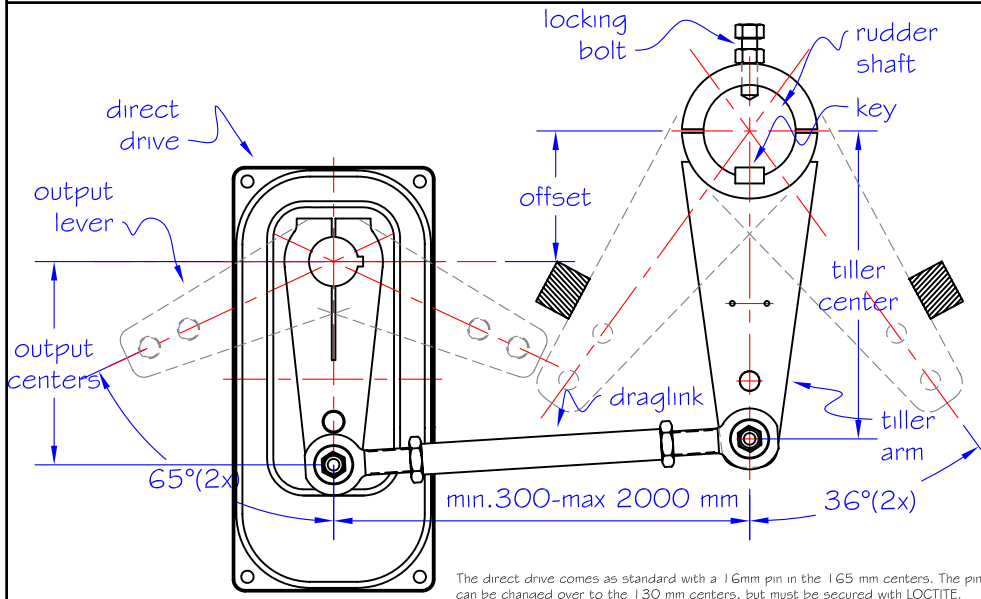


DIRECT DRIVE SPECIFICATION FORM

Version 1.2



Direct drive type I operating centres in mm valid for 72° (2x36°) rudder travel.

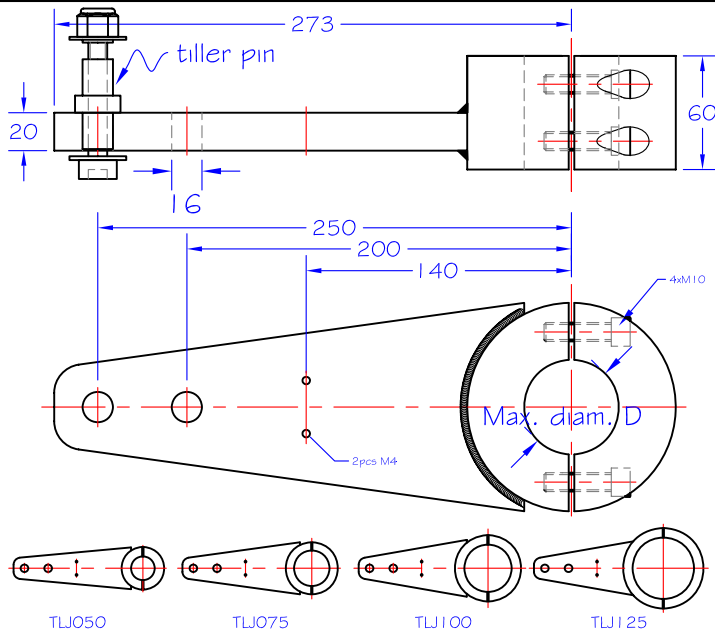
output centers	offset distance	tiller centers
130	106	200
165 (standard)	127	250

specify draglink length (please cross the appropriate box)

200-300mm (DL2030)	
300-400mm (DL3040)	
400-500mm (DL4050)	
500-600mm (DL5060)	

custom lengthmm

specification of tiller arm



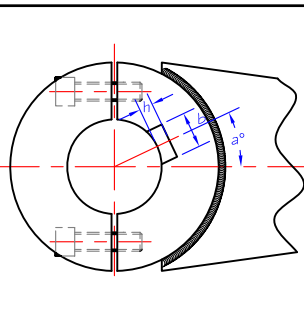
bore diameter = mm
please select the tiller arm by crossing the correct box

bore diam.	tiller arm	cross box
- 50 mm	TLJ050	
51-75mm	TLJ075	
76-100mm	TLJ100	
101-125mm	TLJ125	

to include a tiller pin please cross below box

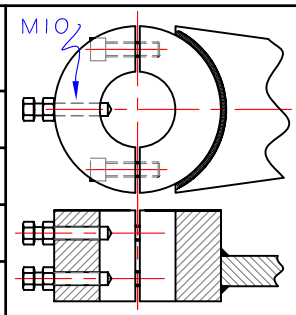
include TLJPIN16

specification of tiller arm locking mechanism



if a key is present, specify dimensions

key width b =	
key height h =	
key angle a =	
no keyway	



if no key is present, cross below box for locking bolts

include 2 off M10 locking bolts	
---------------------------------	--

special requirements / comments

.....