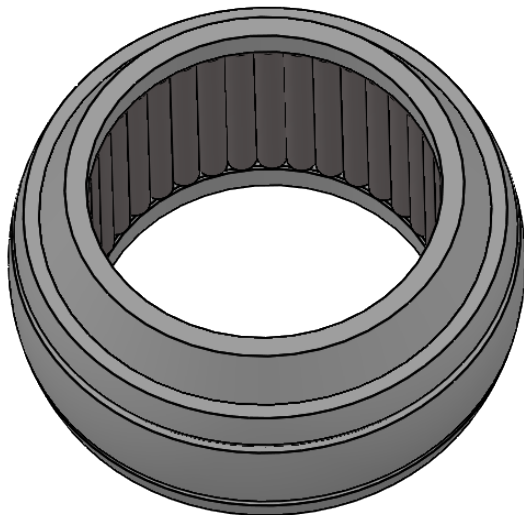
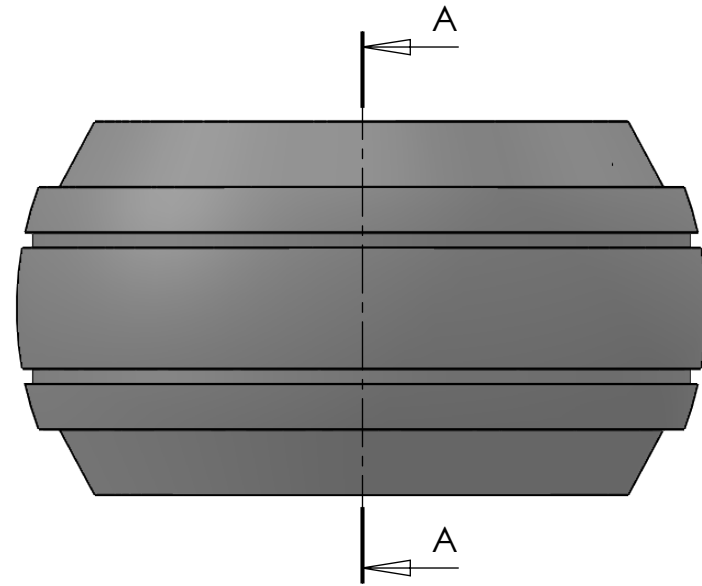



SECTION A-A
SCALE 1 : 1.5



| | | | | | | | |
|---|-------------|----------------------------|------------------------|-----------|-------------|---------------------|--|
| DWG NR / NAME: M17-270-94 / Ball with Rollers | | | | | | BATCH NR: |  JEFA MARINE A/S NIMBUSVEJ 2 2670 GREVE, DENMARK Tlf: +45 4615 5210 & Fax: +45 46155208 Email: info@jefa.com www.jefa.com |
| PROJECT: Shaft 94mm, OD 138mm. | | | | | | REKV.NR / ORDRE NR: | |
| DATE: 25.10.2011 | NAME: JR | SCALE / PAPER: 1:2 / A4 | MATERIAL: WEIGHT: g | LOCATION: | ORDRE DATO: | | |
| MODIFY DATE: 02.01.2018: Name correction / TCH | | | | REV: | LEV.DATO: | | |