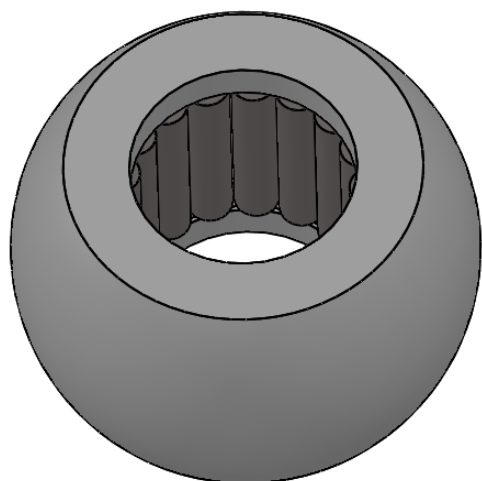
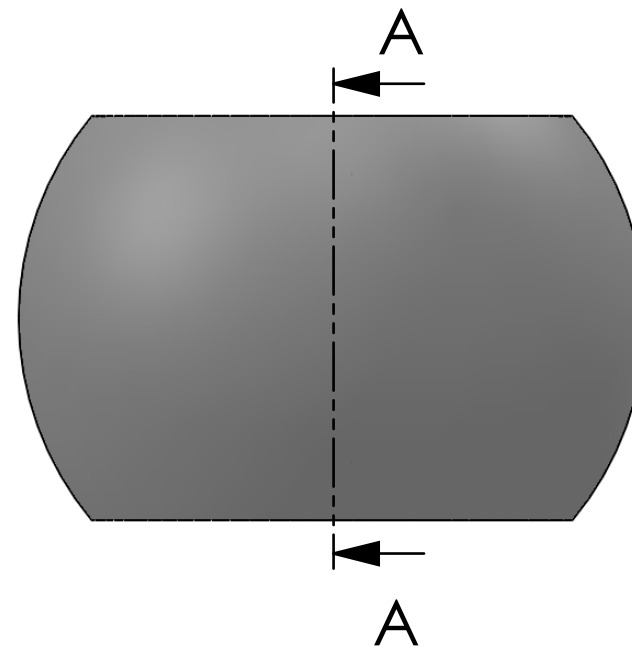


SECTION A-A  
SCALE 1 : 1.5



|  |             |                            |                        |                     |   |   |
|--|-------------|----------------------------|------------------------|---------------------|---|---|
| DWG NR / NAME:<br><b>M13-231B-56 / Bearing Ball with Rollers</b> |             |                            |                        | BATCH NR:           |   | <i>Jefa Rudder</i><br>S Y S T E M S                   |
| PROJECT:<br>Shaft Ø56mm, OD Ø125mm                               |             |                            |                        | REKV.NR / ORDRE NR: |   |   |
| DATE:<br>14-05-2013  | NAME:<br>JR | SCALE / PAPER:<br>1:2 / A4 | MATERIAL:<br>WEIGHT: g | LOCATION:           | ORDRE DATO:   | JEFA MARINE A/S<br>NIMBUSVEJ 2<br>2670 GREVE. DENMARK |
| MODIFY DATE:<br>: /  |             |                            | REV:                   | LEV.DATO:           | Tlf: +45 4615 5210 & Fax: +45 46155208<br>Email: info@jefa.com www.jefa.com |   |