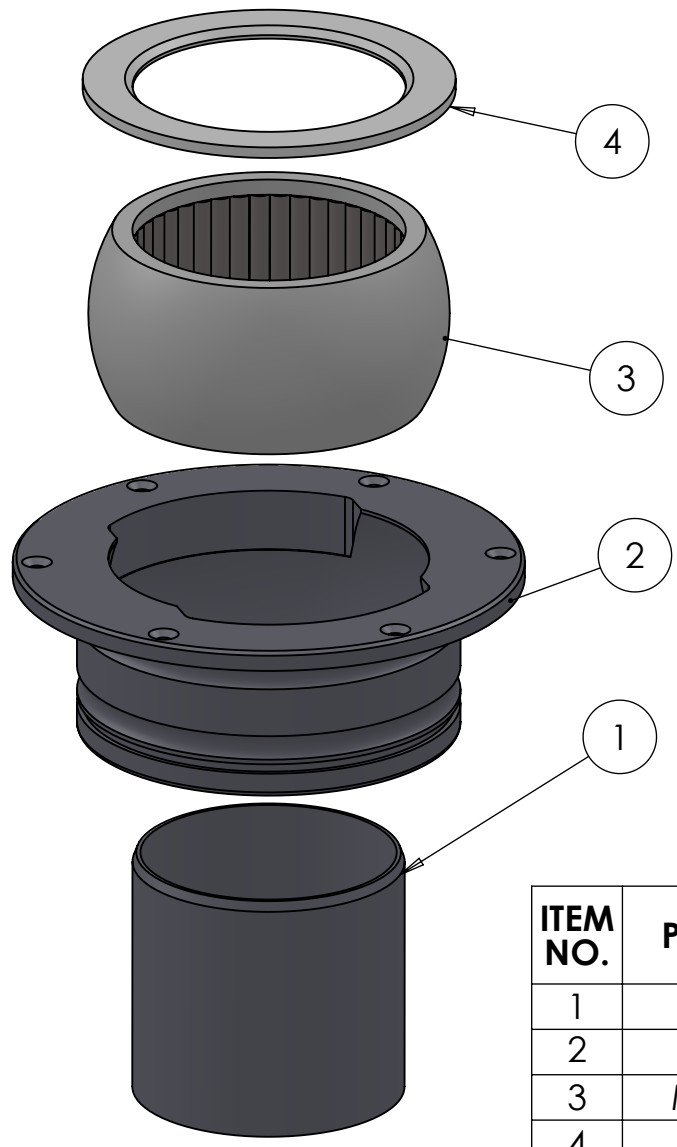


SECTION A-A  
SCALE 1 : 2.5



ITEM NO.	PART NUMBER	PART NAME	Default/ QTY.
1	M71-201	SS Sleeve 4"	1
2	M71-249	Top bearing house 4"	1
3	M13-355-108	Ball with rollers	1
4	M07-194	Washer $\varnothing 108.5 \varnothing 148$	1

DWG NR / NAME:

**7T040S / Top Bearing 4" with Sleeve**

BATCH NR:

PROJECT:

REKV.NR / ORDRE NR:

DATE:  
21-12-2011

NAME:  
JR

SCALE / PAPER:  
1:3 / A4

MATERIAL:  
WEIGHT: g

LOCATION:

ORDRE DATO:

MODIFY DATE:  
: /

REV:

LEV.DATO:



JEFA MARINE A/S  
NIMBUSVEJ 2  
2670 GREVE, DENMARK

Tlf: +45 4615 5210 & Fax: +45 46155208  
Email: info@jefa.com www.jefa.com