

A

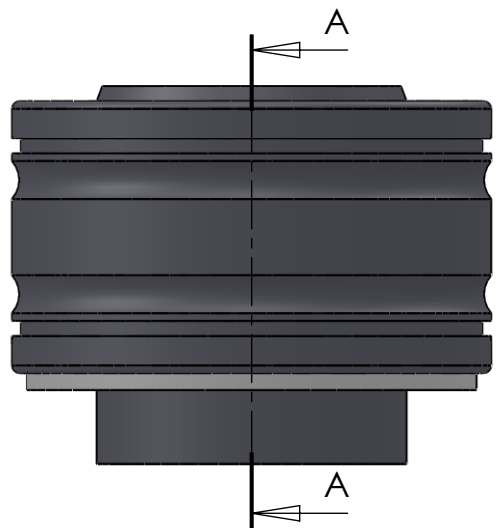
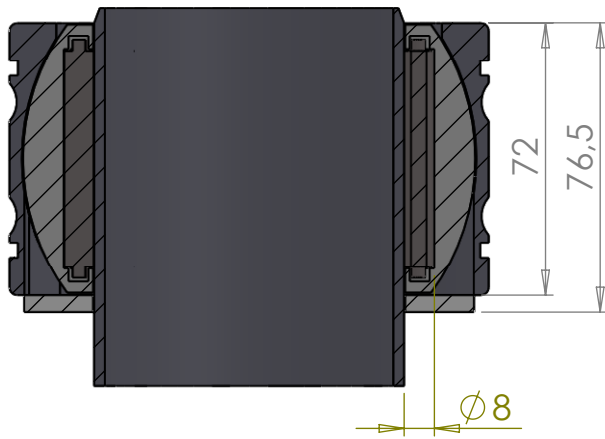
B

C

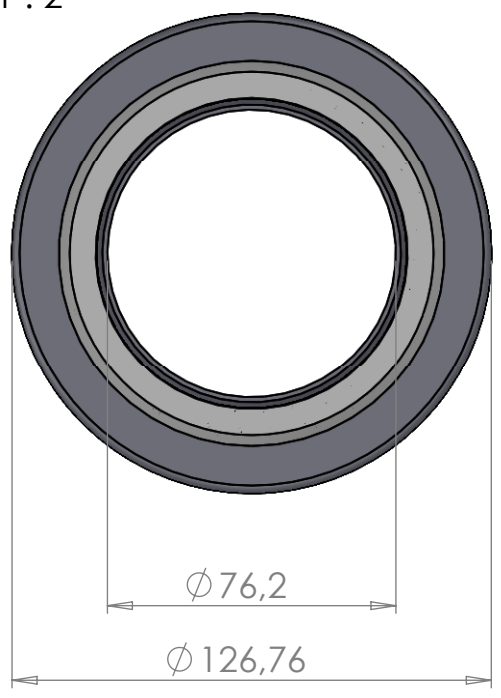
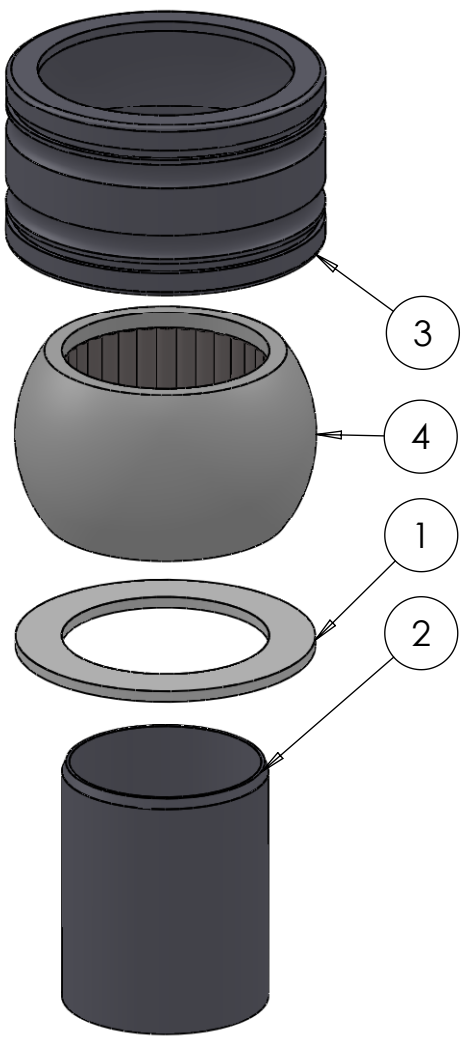
D

E

F



SECTION A-A  
SCALE 1 : 2



ITEM NO.	PART NUMBER	PART NAME	Default/ QTY.
1	M07-162	Washer ø82.5 ø119	1
2	M71-197	SS Sleeve 3"	1
3	M71-340	Bottom bearing house 3"	1
4	M13-230-IN3,0	Ball with rollers	1

DWG NR / NAME: 7B030S / Bottom Bearing 3" with Sleeve

PROJECT:		SCALE / PAPER:		MATERIAL:		LOCATION:		BATCH NR:	
DATE: 21-12-2011		NAME: JR		WEIGHT: g		REKV.NR / ORDRE NR:		ORDRE DATO:	
MODIFY DATE: /		SCALE / PAPER: 1:3 / A4		LOCATION:		REKV.NR / ORDRE NR:		LEV.DATO:	

*Jefa Rudder*  
SYSTEMS

JEFA MARINE A/S  
NIMBUSVEJ 2  
2670 GREVE, DENMARK

Tlf: +45 4615 5210 & Fax: +45 46155208  
Email: info@jefa.com www.jefa.com