

$\phi 11,25$

72
76,5

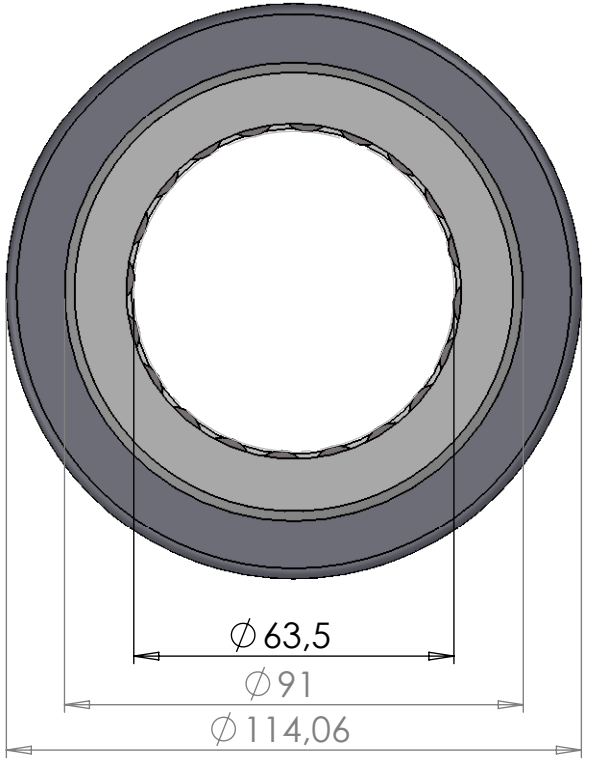
SECTION A-A
SCALE 1 : 1.5



2

3

1



$\phi 63,5$

$\phi 91$

$\phi 114,06$

ITEM NO.	PART NUMBER	PART NAME	Default/ QTY.
1	M07-136	Washer $\phi 64.5 \phi 109$	1
2	M71-335	Bottom bearing house 2 1/2"	1
3	M13-188-IN2,5	Ball with Rollers	1

DWG NR / NAME:

7B25 / Bottom Bearing 2 1/2"

BATCH NR:

PROJECT:

REKV.NR / ORDRE NR:

DATE:
21-12-2011

NAME:
JR

SCALE / PAPER:
1:2 / A4

MATERIAL:
WEIGHT: g

LOCATION:

ORDRE DATO:

MODIFY DATE:
: /

REV:

LEV.DATO:

Jefa Rudder
SYSTEMS

JEFA MARINE A/S
NIMBUSVEJ 2
2670 GREVE, DENMARK

Tlf: +45 4615 5210 & Fax: +45 46155208
Email: info@jefa.com www.jefa.com