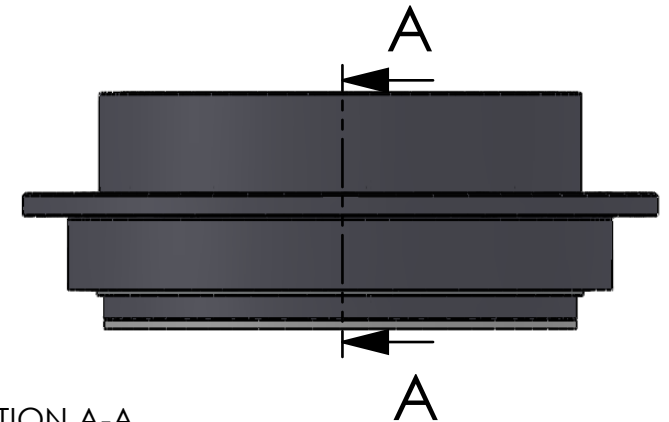


SECTION A-A
SCALE 1 : 4



ITEM NO.	PART NUMBER	PART NAME	QTY.
1	M33-140	Outer house 4SF200-4SF219	1
2	M11-117	Ball 4S200-4SF219	1
3	O-ring	$\phi 267 \times 2.5$	1
4	M03-765	Delrin Lockring $\phi 228,5 \times \phi 211 \times 2,75\text{mm}$	2
5	M05-388	L-ring $\phi 209 \times \phi 225 \times 7,5\text{mm}$	2
6	M01-308	Roller $\phi 8.5 \times 57\text{mm}$	80
7	M35-1313	Inner house 4S200-4S209	1
8	O-ring	$\phi 248 \times 2.5$	1
9	M09-160	Alu lockring $\phi 266 \times \phi 275$	1
10	M07-247-E	Washer $\phi 209\text{mm} \times \phi 250\text{mm} \times 4,5\text{mm}$	1

DWG NR / NAME:

4SF208 / S-A top roller bearing

BATCH NR:

PROJECT:

Shaft $\phi 208\text{mm}$, max working load 11400kg

REKV.NR / ORDRE NR:

DATE:

20-01-2011

NAME:

JR

SCALE / PAPER:

1:20 / A4

MATERIAL:

WEIGHT: g

LOCATION:

ORDRE DATO:

MODIFY DATE:

: /

REV:

LEV.DATO:

Jefa Rudder
SYSTEMS

JEFA MARINE A/S
NIMBUSVEJ 2
2670 GREVE. DENMARK
Tlf: +45 4615 5210 & Fax: +45 46155208
Email: info@jefa.com www.jefa.com