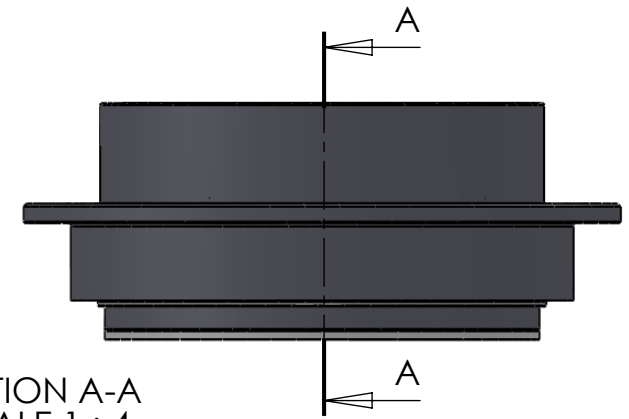


SECTION A-A
SCALE 1 : 4



ITEM NO.	PART NUMBER	PART NAME	QTY.
1	M33-135	Outer house 4SF180-4SF199	1
2	M11-115	Ball 4S180-4SF199	1
3	O-ring	O-ring $\varnothing 246 \times 2.5$	1
4	M03-745	Delrin Lockring $\varnothing 208,5 \times \varnothing 191 \times 2,75\text{mm}$	2
5	M05-380	L-ring $\varnothing 180 \varnothing 183.5 \varnothing 205$	2
6	M01-372	Roller $\varnothing 12.5 \times 57\text{mm}$	48
7	M35-129	Inner house 4S180-4S189	1
8	O-ring	$\varnothing 228 \times 2.5$	1
9	M09-150	Alu lockring $\varnothing 225.5 \times \varnothing 237.5$	1
10	M07-245	Washer $\varnothing 180,5 \times \varnothing 230 \times 4,5$	1

DWG NR / NAME: **4SF180 / S-A top roller bearing**

BATCH NR:

PROJECT:
Shaft $\varnothing 180\text{mm}$, max working load 10300kg

REKV.NR / ORDRE NR:

DATE:
20-01-2011

NAME:
JR

SCALE / PAPER:
1:6 / A4

MATERIAL:
WEIGHT: g

LOCATION:

ORDRE DATO:

MODIFY DATE:

: /

REV:

LEV.DATO:

Jefa Rudder
SYSTEMS

JEFA MARINE A/S
NIMBUSVEJ 2
2670 GREVE. DENMARK
Tlf: +45 4615 5210 & Fax: +45 46155208
Email: info@jefa.com www.jefa.com