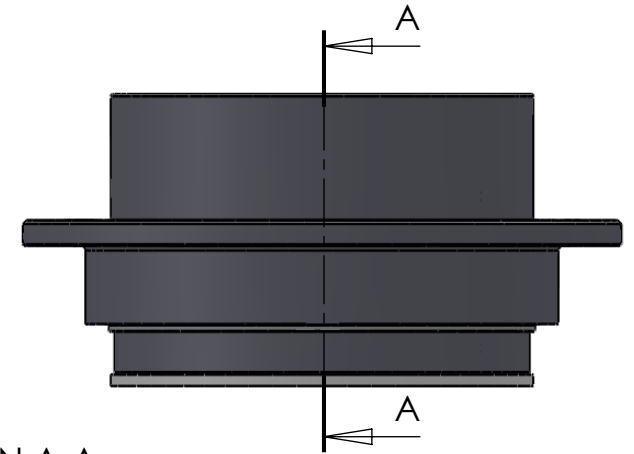


SECTION A-A
SCALE 1 : 3



ITEM NO.	PART NUMBER	PART NAME	QTY.
1	M33-120	Outer house 4SF120-4SF139	1
2	M11-109	Ball 4S120-4SF139	1
3	O-ring	$\varnothing 170 \times 2.5$	1
4	M03-285	Delrin Lockring $\varnothing 148,5 \times \varnothing 131 \times 1,75\text{mm}$	2
5	M05-308	L-ring $\varnothing 127 \varnothing 129 \varnothing 145$	2
6	M01-316	Roller $\varnothing 9.0 \times 57\text{mm}$	47
7	M35-117	Inner house 4S120-4S129	1
8	O-ring	$\varnothing 160 \times 2.5$	1
9	M09-120	Alu lockring $\varnothing 160.5 \times \varnothing 169.5$	1
10	M07-218	Washer $\varnothing 128.5 \varnothing 168$	1

DWG NR / NAME: 4SF127 / S-A top roller bearing				BATCH NR:	
PROJECT: Shaft $\varnothing 127\text{mm}$, max working load 7900kg				REKV.NR / ORDRE NR:	
DATE: 20-01-2011	NAME: JR	SCALE / PAPER: 1:5 / A4	MATERIAL: g	LOCATION:	ORDRE DATO:
MODIFY DATE: : /				REV:	LEV.DATO:

Jefa Rudder
SYSTEMS

JEFA MARINE A/S
NIMBUSVEJ 2
2670 GREVE. DENMARK
Tlf: +45 4615 5210 & Fax: +45 46155208
Email: info@jefa.com www.jefa.com