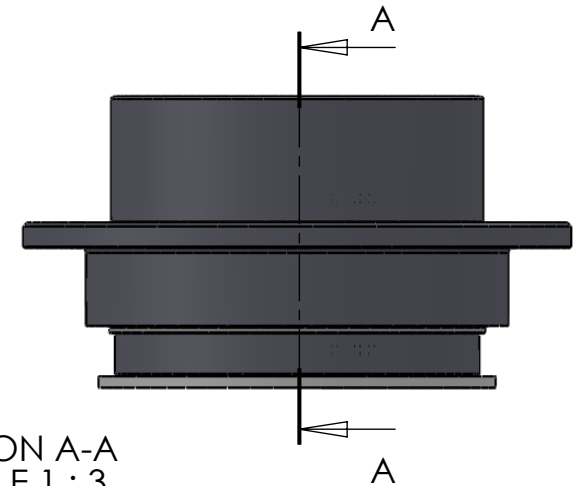


SECTION A-A
SCALE 1 : 3



ITEM NO.	PART NUMBER	PART NAME	QTY.
1	M33-115	Outer house 4SF100-4SF119	1
2	M11-107	Ball 4S100-4SF119	1
3	O-ring	ø155 x 2.5	1
4	M03-275	Delrin Lockring ø138,5 x ø121 x 1,75mm	2
5	M05-287	L-ring ø119 ø121.5 ø135	2
6	M01-301	Roller ø8.0 x 57mm	50
7	M35-115	Inner house 4S110-4S119	1
8	O-ring	O-ring ø140,5 x 2.5	1
9	M09-115	Alu lockring ø140.5 x ø149.5	1
10	M07-206	Washer ø119.5 ø158	1

DWG NR / NAME:

4SF119 / S-A top roller bearing

BATCH NR:

PROJECT:

Shaft Ø119mm, max working load 7300kg

REKV.NR / ORDRE NR:

DATE:

20-01-2011

NAME:

JR

SCALE / PAPER:

1:4 / A4

MATERIAL:

WEIGHT: g

LOCATION:

ORDRE DATO:

MODIFY DATE:

: /

REV:

LEV.DATO:

Jefa Rudder
S Y S T E M S

JEFA MARINE A/S
NIMBUSVEJ 2
2670 GREVE, DENMARK

Tlf: +45 4615 5210 & Fax: +45 46155208
Email: info@jefa.com www.jefa.com