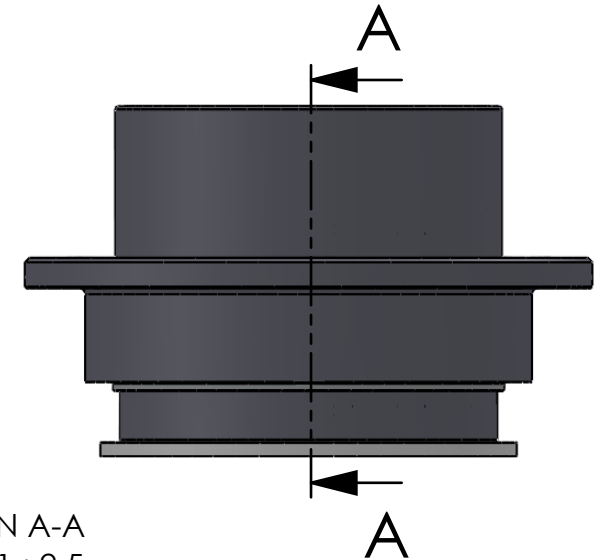



SECTION A-A
SCALE 1 : 2.5



| ITEM NO. | PART NUMBER | PART NAME | QTY. |
|----------|-------------|--|------|
| 1 | M33-110 | Outer house 4SF080-4SF099 | 1 |
| 2 | M11-105 | Ball 4S080-4SF099 | 1 |
| 3 | O-ring | $\phi 130 \times 2.5$ | 1 |
| 4 | M03-228 | Delrin Lockring $\phi 118,5 \times 101 \times 1,75\text{mm}$ | 2 |
| 5 | M05-227 | L-ring $\phi 97 \phi 99.5 \phi 115$ | 2 |
| 6 | M01-316 | Roller $\phi 9.0 \times 57\text{mm}$ | 37 |
| 7 | M35-111 | Inner house 4S090-4S099 | 1 |
| 8 | O-ring | $\phi 120 \times 2.5$ | 1 |
| 9 | M09-110 | Alu lockring $\phi 120.5 \times \phi 129.5$ | 1 |
| 10 | M07-182 | Washer $\phi 97.5 \phi 138$ | 1 |

| | | | | | | |
|---|----------|--------------------------|---------------------|---------------------|-------------|--|
| DWG NR / NAME: 4SF097 / S-A top roller bearing | | | | BATCH NR: | |  |
| PROJECT: Shaft $\phi 97\text{mm}$, max working load 6200kg | | | | REKV.NR / ORDRE NR: | | |
| DATE: 20-01-2011 | NAME: JR | SCALE / PAPER: 1:10 / A4 | MATERIAL: WEIGHT: g | LOCATION: | ORDRE DATO: | JEFA MARINE A/S NIMBUSVEJ 2 2670 GREVE, DENMARK Tlf: +45 4615 5210 & Fax: +45 46155208 Email: info@jefa.com www.jefa.com |
| MODIFY DATE: : / | | | | REV: | LEV.DATO: | |