

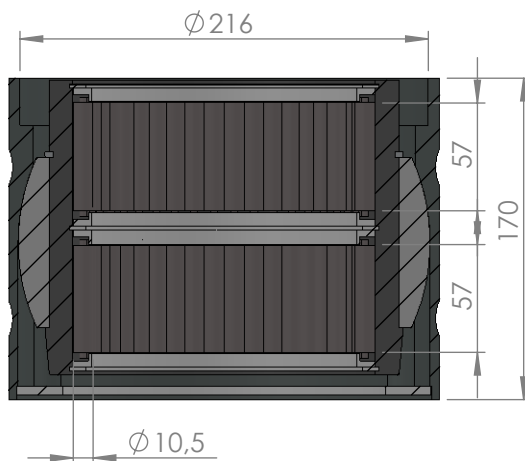
A

B

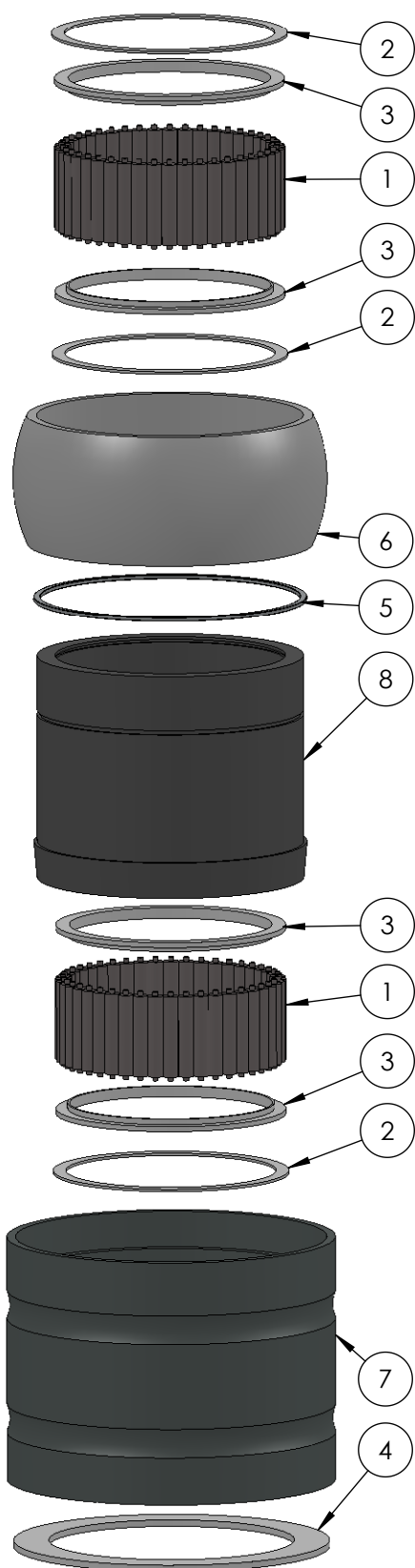
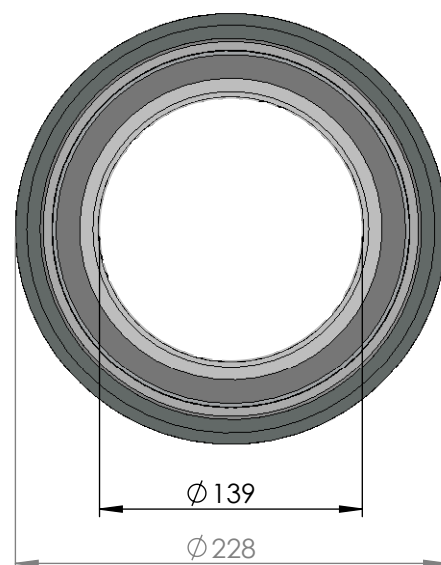
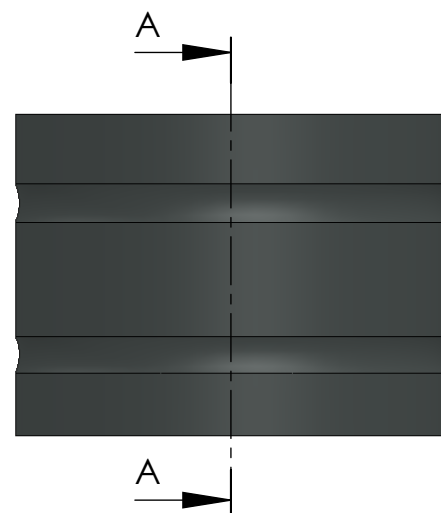
C

D

E



SECTION A-A
SCALE 1 : 4



ITEM NO.	PART NUMBER	PART NAME	QTY.
1	M01-340	Roller $\varnothing 10.5 \times 57\text{mm}$	88
2	M03-300	Lockring $\varnothing 146 \varnothing 164$	3
3	M05-332	L-ring $\varnothing 140 \varnothing 143,5 \varnothing 160$	4
4	M07-239	Washer $\varnothing 170.5 \varnothing 219$	1
5	M09-125	Alu lockring $\varnothing 180.5 \times \varnothing 189.5$	1
6	M15-140	Ball for 43125-43160	1
7	M25-120	Yderhus for 43125-43154	1
8	M27-155	Inderhus for 43135-43144	1

DWG NR / NAME:

43139 / Self-aligning roller bearing

BATCH NR:

PROJECT:

Shaft $\varnothing 139$ max working load 17400kg

REKV.NR / ORDRE NR:

DATE:

16-12-2009

NAME:

JR

SCALE / PAPER:

1:5 / A4

MATERIAL:

WEIGHT:

g

LOCATION:

ORDRE DATO:

MODIFY DATE:

: /

REV:

LEV.DATO:

Jefa Rudder
SYSTEMS

JEFA MARINE A/S
NIMBUSVEJ 2
2670 GREVE, DENMARK

Tlf: +45 4615 5210 & Fax: +45 46155208
Email: info@jefa.com www.jefa.com