

A

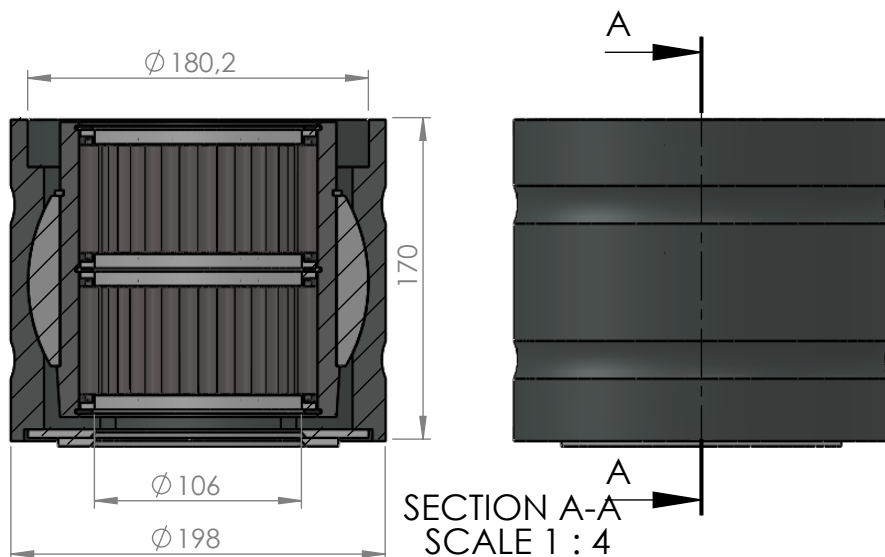
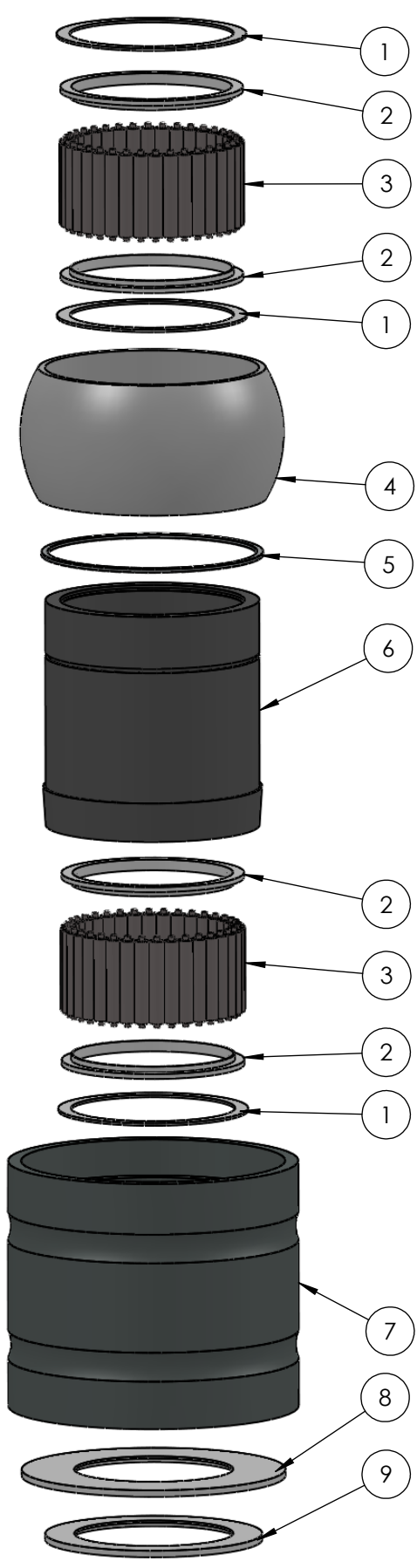
B

C

D

E

F



ITEM NO.	PART NUMBER	PART NAME	QTY.
1	M03-237	Delrin Lockring $\varnothing 129,5 \times \varnothing 112 \times 1,75\text{mm}$	3
2	M05-266	L-ring $\varnothing 109 \varnothing 111.5 \varnothing 125$	4
3	M01-332	Roller $\varnothing 10.0 \times 57\text{mm}$	72
4	M15-130	Ball for 43101-43120	1
5	M09-116	Alu lockring $\varnothing 142.5 \times \varnothing 151.5$	1
6	M27-135	Inderhus for 43101-44110	1
7	M25-115	Yderhus for 43101-43120	1
8	M07-195	Washer, delrin $\varnothing 108,5 \times \varnothing 180 \times 4,5\text{mm}$	1
9	M07-194	Washer $\varnothing 108.5 \varnothing 148$	1

DWG NR / NAME:

43106 / Self-aligning roller bearing

BATCH NR:

PROJECT:

Shaft $\varnothing 106\text{mm}$, max working load 14000kg

REKV.NR / ORDRE NR:

DATE:

07-01-2010

NAME:

JR

SCALE / PAPER:

1:4 / A4

MATERIAL:

WEIGHT:

g

LOCATION:

REV:

ORDRE DATO:

LEV.DATO:

MODIFY DATE:

: /

Jefa Rudder
SYSTEMS

JEFA MARINE A/S
NIMBUSVEJ 2
2670 GREVE, DENMARK

Tlf: +45 4615 5210 & Fax: +45 4615 5208
Email: info@jefa.com www.jefa.com