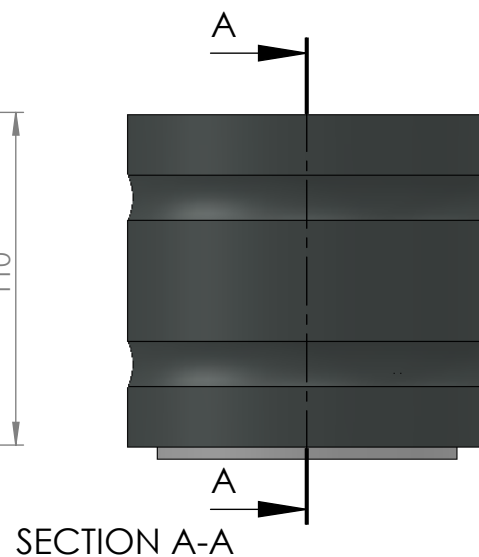
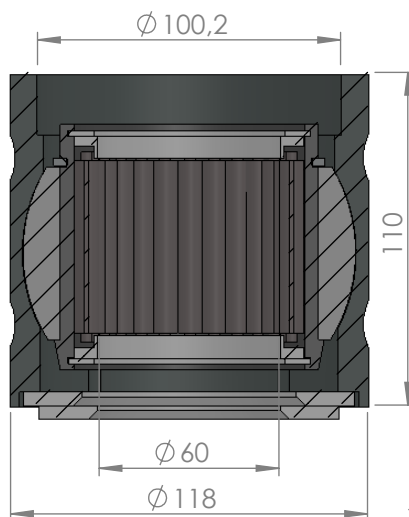
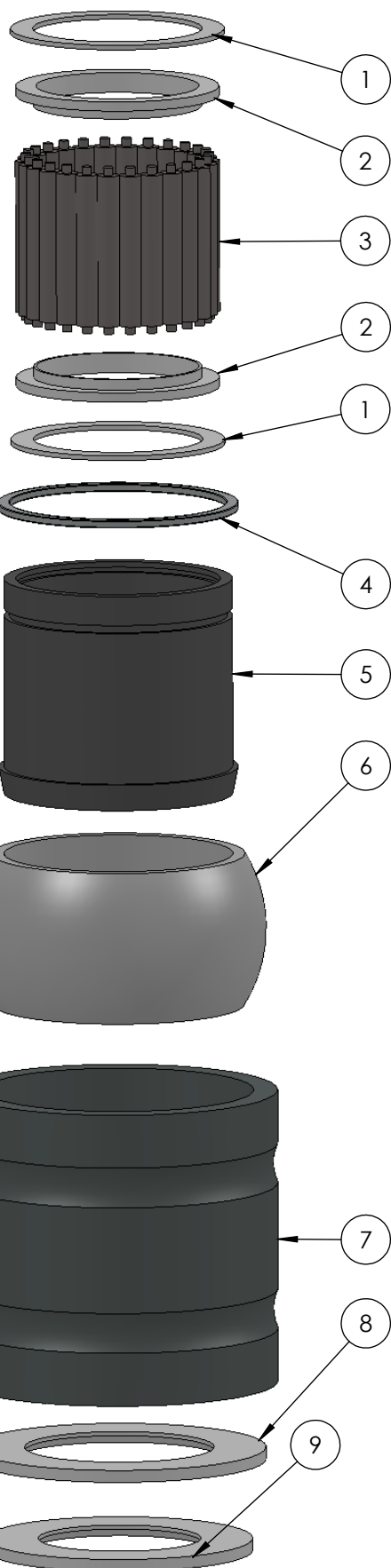


A



B

C

D

E

ITEM NO.	PART NUMBER	PART NAME	QTY.
1	M03-203	Delrin Lockring $\varnothing 79,5 \times \varnothing 63 \times 1,75\text{mm}$	2
2	M05-152	L-ring $\varnothing 60 \times \varnothing 62.5 \varnothing 76$	2
3	M01-301	Roller $\varnothing 8.0 \times 57\text{mm}$	26
4	M09-101	Alu lockring $\varnothing 80.5 \times \varnothing 89.5$	1
5	M27-105	Inderhus for 43050-43060	1
6	M15-101	Ball for 43040-43060	1
7	M25-101	Yderhus for 43040-43060	1
8	M07-146	Washer $\varnothing 70.5 \varnothing 109$	1
9	M07-131	Washer $\varnothing 60.5 \times \varnothing 99$	1

DWG NR / NAME:

43060 / Self-aligning roller bearing

BATCH NR:

PROJECT:

Shaft $\varnothing 60\text{mm}$, max working load 4000kg

REKV.NR / ORDRE NR:

DATE:

25-01-2010

NAME:

JR

SCALE / PAPER:

1:2.5 / A4

MATERIAL:

WEIGHT:

g

LOCATION:

REV:

ORDRE DATO:

LEV.DATO:

MODIFY DATE:

: /

Jefa Rudder
SYSTEMS

JEFA MARINE A/S
NIMBUSVEJ 2
2670 GREVE, DENMARK

Tlf: +45 4615 5210 & Fax: +45 46155208
Email: info@jefa.com www.jefa.com