

A

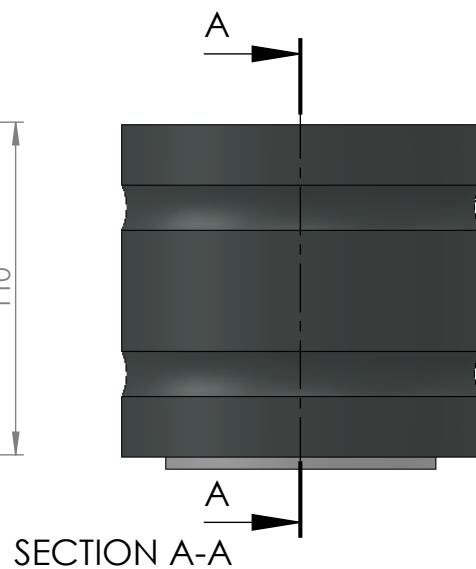
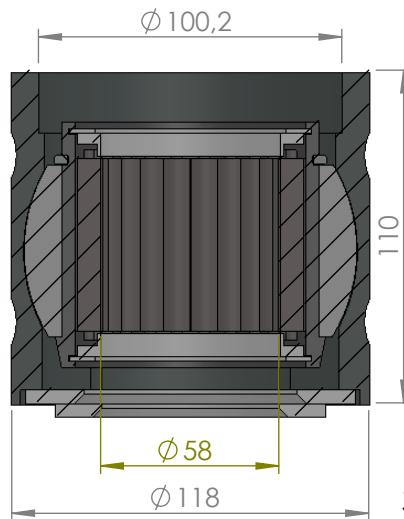
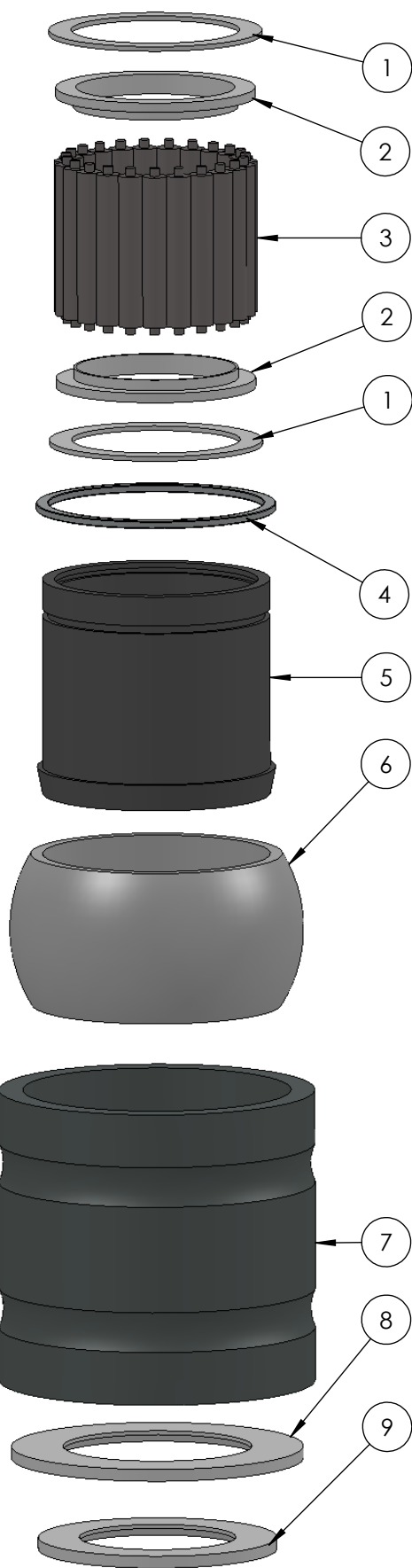
B

C

D

E

F



ITEM NO.	PART NUMBER	PART NAME	QTY.
1	M03-203	Delrin Lockring $\phi 79,5 \times \phi 63 \times 1,75\text{mm}$	2
2	M05-149	L-ring $\phi 59 \phi 61.5 \phi 75$	2
3	M01-316	Roller $\phi 9.0 \times 57\text{mm}$	23
4	M09-101	Alu lockring $\phi 80.5 \times \phi 89.5$	1
5	M27-105	Inderhus for 43050-43060	1
6	M15-101	Ball for 43040-43060	1
7	M25-101	Yderhus for 43040-43060	1
8	M07-146	Washer $\phi 70.5 \phi 109$	1
9	M07-127	Washer $\phi 58.5 \phi 89$	1

DWG NR / NAME:

**43058 / Self-aligning roller bearing**

BATCH NR:

PROJECT:

Shaft  $\phi 58\text{mm}$ , max working load 4000kg

REKV.NR / ORDRE NR:

DATE:

25-01-2010

NAME:

JR

SCALE / PAPER:

1:2.5 / A4

MATERIAL:

WEIGHT:

g

LOCATION:

REV:

ORDRE DATO:

LEV.DATO:

*Jefa Rudder*  
SYSTEMS

JEFA MARINE A/S  
NIMBUSVEJ 2  
2670 GREVE, DENMARK

Tlf: +45 4615 5210 & Fax: +45 4615208  
Email: info@jefa.com www.jefa.com

MODIFY DATE:

: /