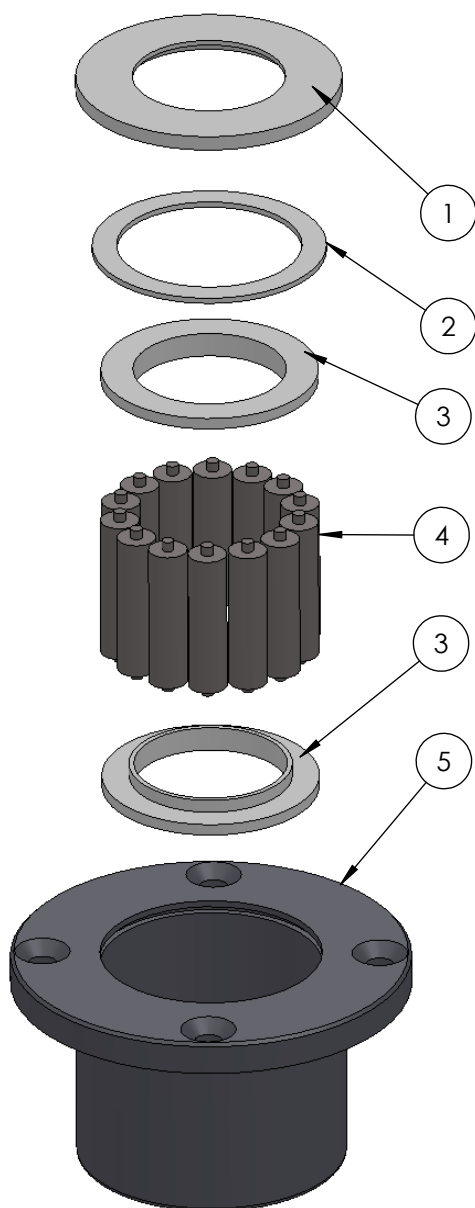
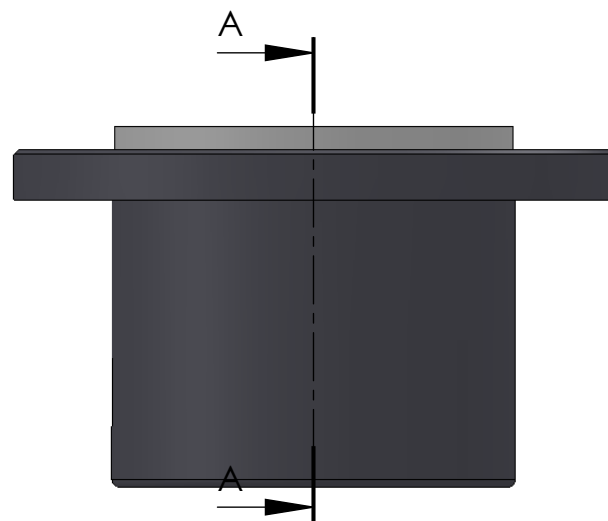


SECTION A-A
SCALE 1 : 1.5



ITEM NO.	PART NUMBER	PART NAME	QTY
1	M07-110	Washer $\phi 45.5 \times \phi 79$	1
2	M03-197	Delrin Lockring $\phi 69,5 \times \phi 55 \times 1,75\text{mm}$	1
3	M05-119	L-ring $\phi 45 \times \phi 65 \times 7,5$	2
4	M01-256	Roller $\phi 11.5 \times 44\text{mm}$	14
5	M23-120	Top roller bearing house	1

DWG NR / NAME:

42043 / Top roller bearing

BATCH NR:

PROJECT:

Shaft $\phi 43\text{mm}$, max working load 2500kg

REKV.NR / ORDRE NR:

DATE:
25-05-2009

NAME:
jr

SCALE / PAPER:
1:2 / A4

MATERIAL:
WEIGHT: g

LOCATION:

ORDRE DATO:

MODIFY DATE:
: /

REV:

LEV.DATO:

Jefa Rudder
SYSTEMS

JEFA MARINE A/S
NIMBUSVEJ 2
2670 GREVE, DENMARK

Tlf: +45 4615 5210 & Fax: +45 4615208
Email: info@jefa.com www.jefa.com