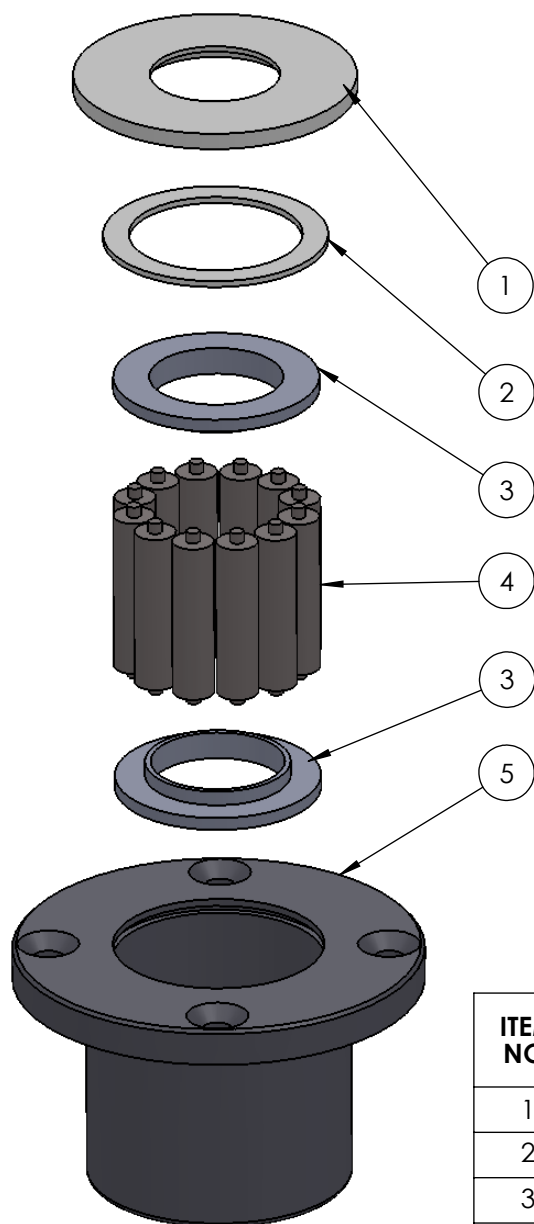


SECTION A-A  
SCALE 1 : 1.5



ITEM NO.	PART NUMBER	PART NAME	QTY.
1	M07-100	Washer $\phi 34.5 \phi 75$	1
2	M03-191	Delrin Lockring $\phi 59,5 \times \phi 46 \times 1,75\text{mm}$	1
3	M05-101	L-ring $\phi 35 \times \phi 55$	2
4	M01-248	Roller $\phi 11 \times 44\text{mm}$	12
5	M23-101	Top roller bearing house $\phi 30-\phi 40$	1

DWG NR / NAME:

**42034 / Top roller bearing**

BATCH NR:

PROJECT:

Shaft  $\phi 34\text{mm}$ , Max working load 2000kg

REKV.NR / ORDRE NR:

DATE:

07-04-2009

NAME:

KJ

SCALE / PAPER:

1:1,5 / A4

MATERIAL:

WEIGHT:

g

LOCATION:

ORDRE DATO:

MODIFY DATE:

: /

REV:

LEV.DATO:

*Jefa Rudder*  
SYSTEMS

JEFA MARINE A/S  
NIMBUSVEJ 2  
2670 GREVE, DENMARK

Tlf: +45 4615 5210 & Fax: +45 46155208  
Email: info@jefa.com www.jefa.com